

32A SPACE SAVING RCBO 10kA 1P+N SINGLE MODULE C CURVE 230V A

- Single module space saving RCBO
- Breaking capacity 10 kA
- 32A C-Curve
- 30mA, Type A
- Reduced height 99.5 mm



General information

| | |
|---|--|
| Standards | BS EN IEC 61009-1 BS EN IEC 61009-2-2 |
| Width in number of modular spacing | 1 |
| Design of pole | 1P+N |
| Number of protected poles | 1 |
| Neutral can be switched | No |
| Position of neutral terminal | Right |
| Trip unit technology | Thermal-magnetic |
| Tripping characteristic | Type C |
| Rated current I_n [A] | 32 |
| Residual current-detection principle | Electronic (voltage dependent) |
| Type of residual current | Type A |
| Residual current protection time delay | General type without time delay |
| Rated residual operating current ($I_{\Delta n}$) [mA] | 30 |
| Breaking capacity | |
| Rated ultimate short-circuit breaking capacity (I_{cn}) [kA] | 10 |
| Rated residual breaking and making capacity ($I_{\Delta m}$) [kA] | 2 |
| Energy limiting class | 3 |
| Barcode (EAN-13) | 5060690138563 |

Technical information

| | |
|--|-------------------|
| Nature of power supply | AC |
| Rated operational voltage (U_e) [V] | 240 (230) |
| Rated frequency (f) [Hz] | 50/60 |
| Rated insulation voltage (U_i) [V] | 500 |
| Rated impulse withstand voltage (U_{imp}) [kV] | 4 |
| Contact position indication | Green/Red windows |
| Endurance | |
| • Mechanical [ops.] | 20000 |

Danson Electrical UK Limited.

| | | |
|--------------|----------|-------|
| ● Electrical | [ops.] | 10000 |
|--------------|----------|-------|

Environmental information

| | | |
|--|-----------|--|
| Degree of protection | | |
| ● Housing | | IP40 |
| ● Terminals | | IP20 |
| Pollution degree | | 3 |
| Overvoltage category | | III |
| Altitude (maximum) | [Meter] | Max. 2000 |
| Ambient air temperature for operation | | |
| ● Minimum | [°C] | -25 |
| ● Maximum | [°C] | +45 |
| Ambient air temperature for storage | | |
| ● Minimum | [°C] | -40 |
| ● Maximum | [°C] | +70 |
| Reference ambient air temperature | | [°C] 30 |
| Relative humidity | | 28 cycles with +20 °C/95% and +40 °C/50% |

Package information

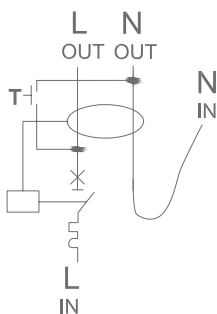
| | | |
|------------------------------------|---------|--------|
| Package level 1 | | |
| Type | | Box |
| Number of units in package level 1 | [pcs] | 1 |
| Weight | [g] | 174 |
| Length | [cm] | 13 |
| Width | [cm] | 24 |
| Height | [cm] | 8 |
| Package level 2 | | |
| Type | | Carton |
| Number of units in package level 2 | [pcs] | 108 |
| Weight | [kg] | 17.8 |
| Length | [cm] | 45 |
| Width | [cm] | 24 |
| Height | [cm] | 34 |
| Package level 3 | | |
| Type | | Pallet |
| Number of units in package level 3 | [pcs] | 3240 |
| Weight | [kg] | 549 |
| Length | [cm] | 120 |
| Width | [cm] | 100 |
| Height | [cm] | 125 |

Mounting & Connection

| | |
|-------------------|---|
| Mounting position | Any |
| Mounting method | on DIN rail EN 60715 (35 mm) by means of clip |

| | |
|--|---|
| Power supply connection | Bottom terminal |
| Terminal type | |
| Bottom | |
| <ul style="list-style-type: none"> Line live terminal | Screw terminals |
| Top | |
| <ul style="list-style-type: none"> Load live terminal Load neutral terminal Line neutral terminal | Screw terminals Screw terminals Flying neutral lead |
| <ul style="list-style-type: none"> - Section [mm²] - Length [mm] - Colour | 4 600 Blue |
| Function earth cable | No |
| Colour of function earth cable | - |
| Recommended screw driver | Pozidriv 2 |
| Connection capacity | |
| Line live terminal | |
| <ul style="list-style-type: none"> Flexible/Stranded | |
| <ul style="list-style-type: none"> - Minimum [mm²] - Maximum [mm²] | 1 25 |
| <ul style="list-style-type: none"> Solid | |
| <ul style="list-style-type: none"> - Minimum [mm²] - Maximum [mm²] | 1 35 |
| Load live & neutral terminals | |
| <ul style="list-style-type: none"> Flexible/Stranded/Solid | |
| <ul style="list-style-type: none"> - Minimum [mm²] - Maximum [mm²] | 1 10 |
| Wiring stripping length | [mm] 11.5 |
| Tightening torque | |
| <ul style="list-style-type: none"> Line live terminal [N.m] Load live & neutral terminals [N.m] | 2 2.5 |
| Sealable handle | Yes |

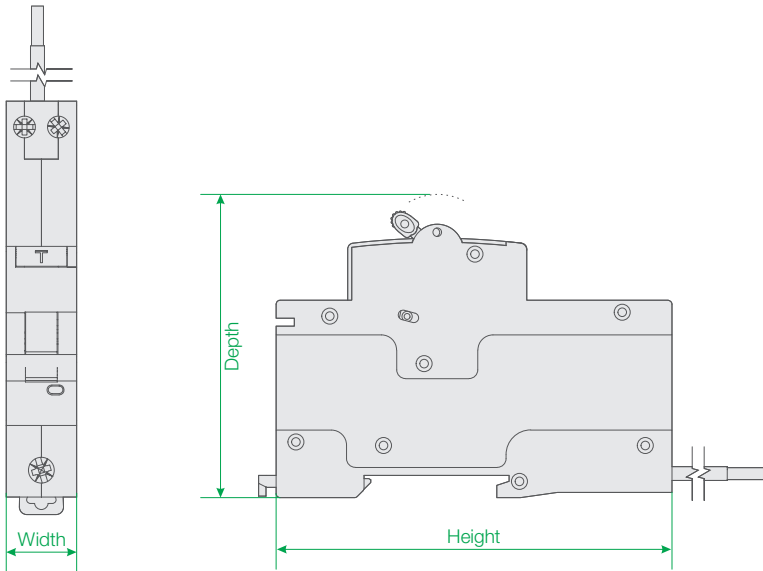
Diagram



E-DLZS4132

Dimensions

| Height [mm] | Width [mm] | Depth [mm] | Weight [g] |
|------------------|-----------------|-----------------|-----------------|
| 99.5 | 17.8 | 76.2 | 151 |



Certificate

**UK
CA**

CE

CB

Danson Electrical UK Limited.